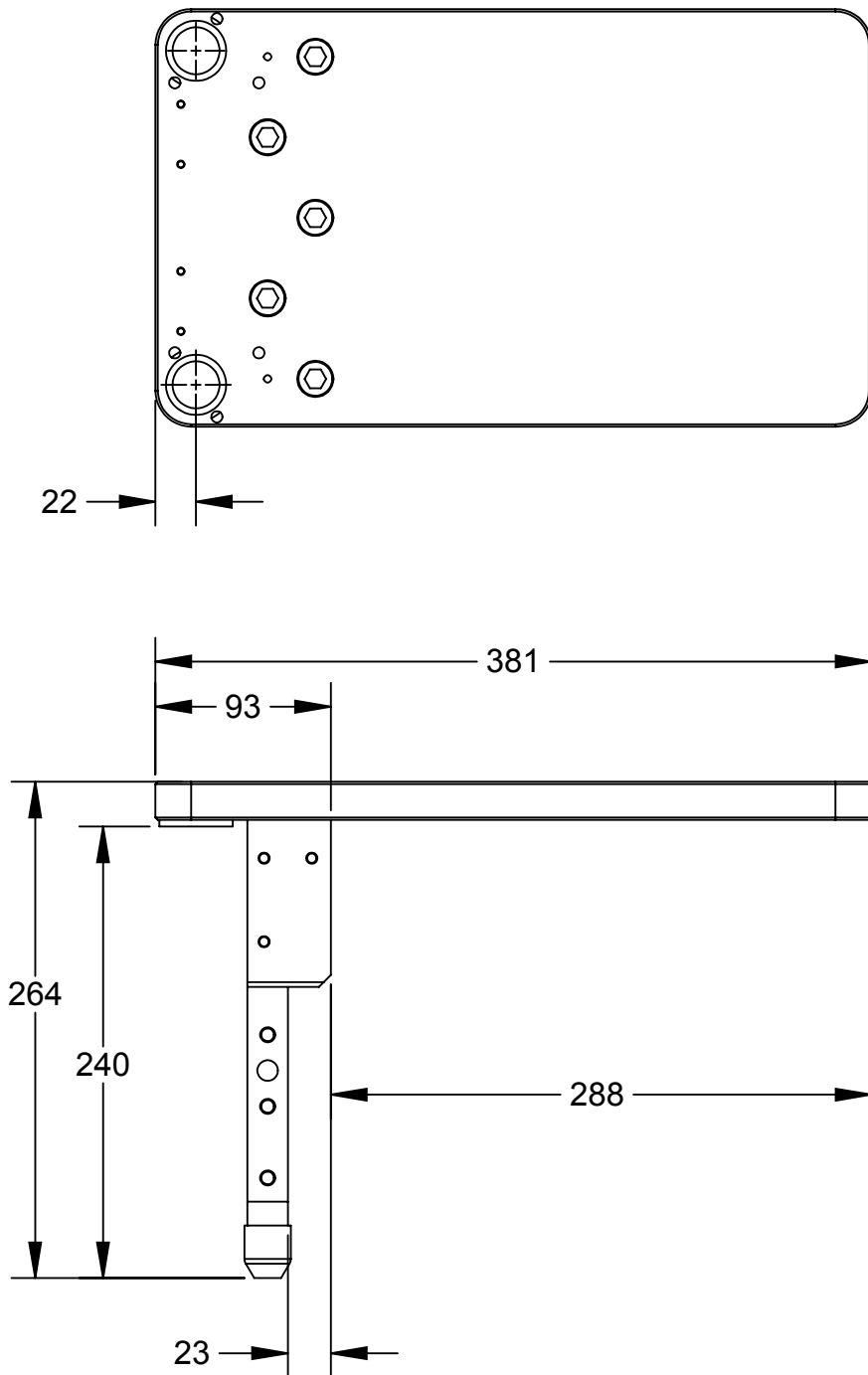
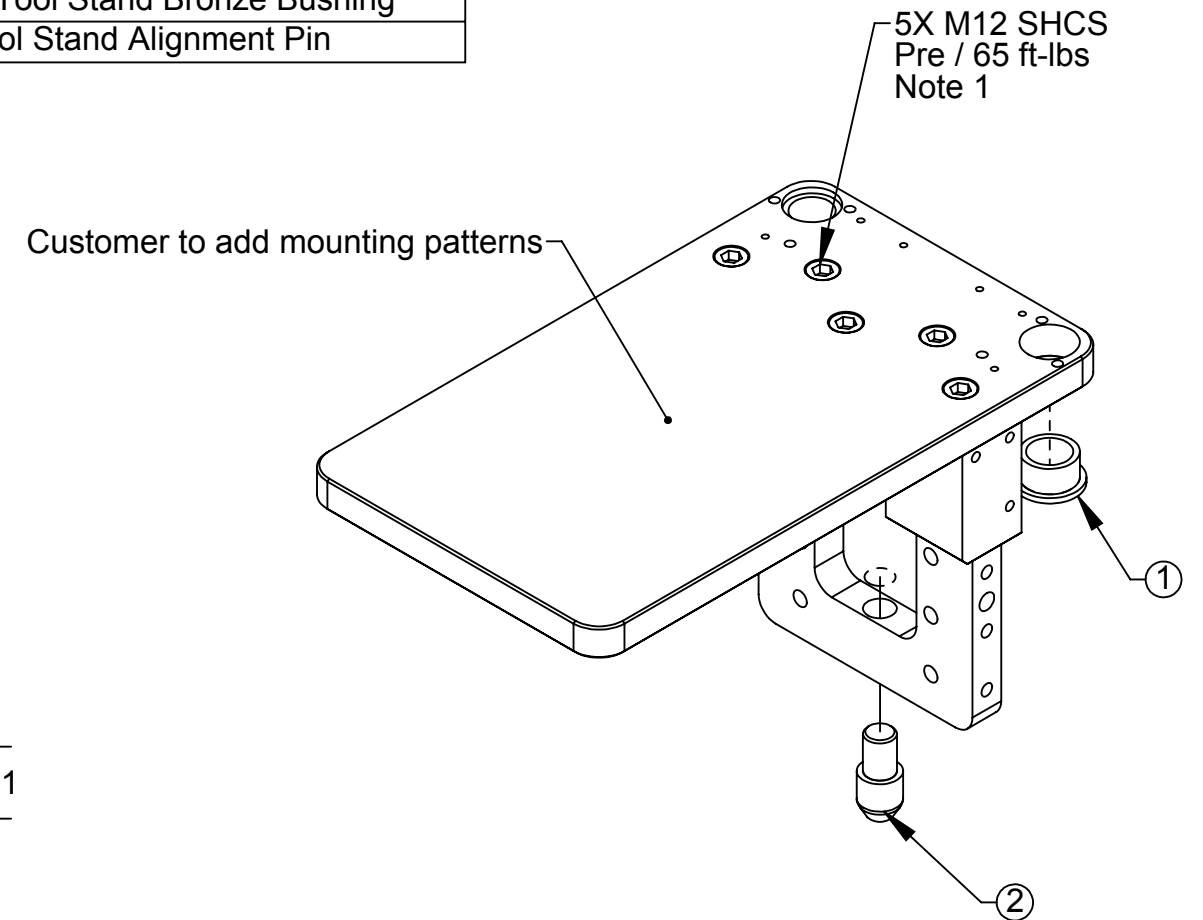
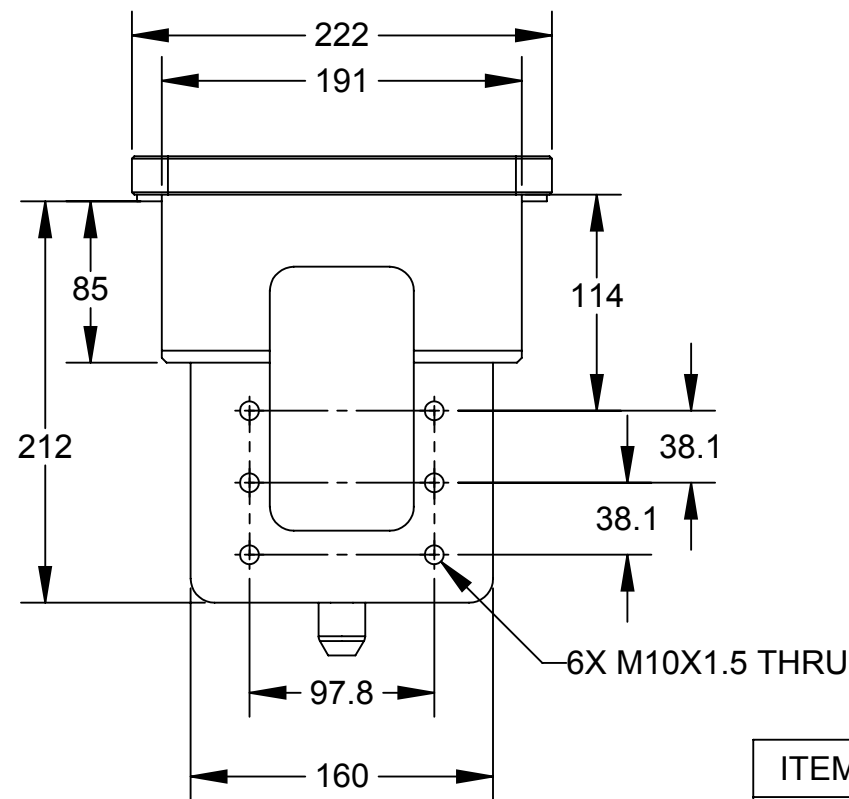


Rev.	Description	Initiator	Date
03	Eco 17448; Uprev to show holes added on a previous eco.	LJH	11/15/2018



Serviceable Items			
ITEM NO.	QTY.	PART NUMBER	DESCRIPTION
1	2	3710-20-1028	Large Tool Stand Bronze Bushing
2	1	3700-20-3323	QC Tool Stand Alignment Pin



Notes:

1. Plate material: 6061-T6 Aluminum, soft coat black anodize.

NOTES: UNLESS OTHERWISE SPECIFIED.

DO NOT SCALE DRAWING. ALL DIMENSIONS ARE IN MILLIMETERS.



3rd ANGLE PROJECTION

ITEM NO.	QTY.	PART NUMBER	DESCRIPTION
1	1	9120-TSL-HBB-4115	TSL Tooling Interface Plate - Blank

1031 Goodworth Drive, Apex, NC 27539, USA  
 Tel: +1.919.772.0115 Email: info@ati-ia.com  
 Fax: +1.919.772.8259 www.ati-ia.com  
 ISO 9001 Registered Company

PROPERTY OF ATI INDUSTRIAL AUTOMATION, INC. NOT TO BE REPRODUCED IN ANY MANNER EXCEPT ON ORDER OR WITH PRIOR WRITTEN AUTHORIZATION OF ATI.

DRAWN BY: E. Donkor 12/19/2013		TITLE	
CHECKED BY: J. Winterroth, 1/09/14		TSL Tooling Interface Plate - Blank	
PROJECT # -	SHEET 1 OF 1	SCALE	SIZE
		1:4	B
		DRAWING NUMBER	REVISION
		9630-20-TSL-HBB-4115	03